

# Hinge Replacement & Hinge and Hardware Adjustment Guide



for Andersen® A-Series Hinged Inswing; 400 Series Frenchwood® Hinged Inswing Patio Doors Manufactured After November 2005 and

400 Series Frenchwood® Hinged Inswing Patio Doors with Stormwatch® Protection

**INSTALLER: Please leave this guide with the building owner to file for future reference.**

For ease of installation and continued enjoyment of your Andersen® product, please read and follow this Instruction Guide completely. You may direct any questions about this or other products to your local Andersen dealer, found in the Yellow Pages under “Windows”, or call Andersen WindowCare® service center at 1-888-888-7020 Monday through Friday, 7 a.m. to 7 p.m. Central Time and Saturday, 8 a.m. to 4 p.m. Central Time. Assembly and installation of Andersen products is the sole responsibility of the architect, building owner, contractor and/or consumer and Andersen has no responsibility in this regard. Thank you for choosing Andersen.

## ⚠ WARNING

Use caution when working at elevated heights and around unit openings. Follow manufacturer’s instructions for safe use of ladder and/or scaffolding. Failure to do so may result in injury or death.

## ⚠ WARNING

Follow manufacturer’s instructions for safe operation of hand/power tools. Always wear safety glasses. Failure to do so may result in injury and/or product damage.

## ⚠ WARNING

Windows and doors can be heavy. Use safe lifting techniques and a reasonable number of people with enough strength to lift, carry and install window and door products to avoid injury and/or product damage.

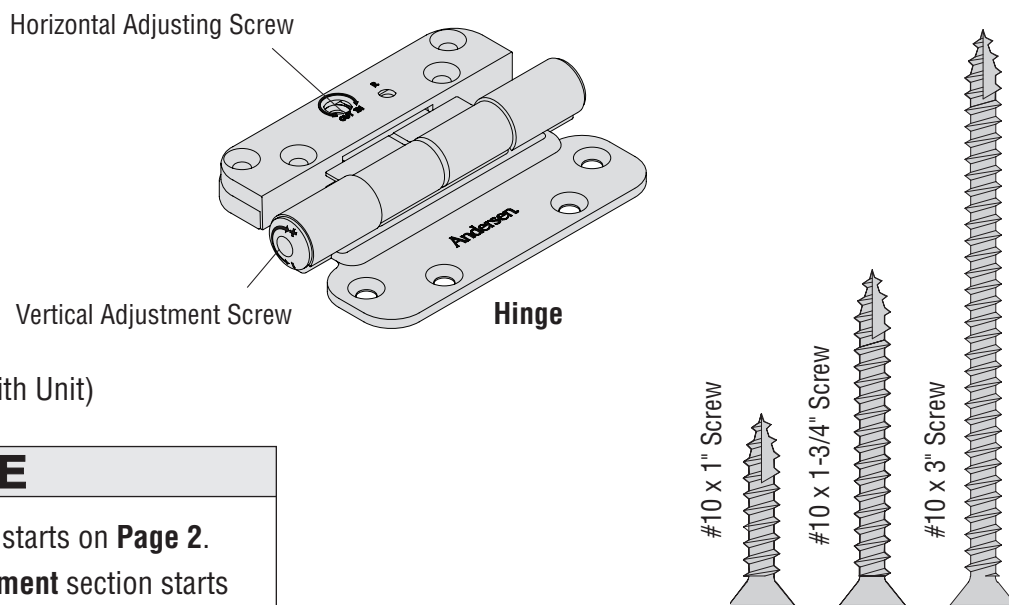
### Parts Included

- (1) Instruction Guide
- (1) Hinge
- (2) #10 x 1" Screws
- (2) #10 x 3" Screws
- (4) #10 x 1-3/4" Screws

### Tools & Supplies

- Safety Glasses
- Flat Blade Screwdriver
- Phillips Screwdriver
- Pencil
- 5/32" Hex Wrench (Included with Unit)

### Component Identification



## NOTICE

- **Hinge Replacement** section starts on **Page 2**.
- **Hinge and Hardware Adjustment** section starts on **Page 4**.

## Hinge Replacement

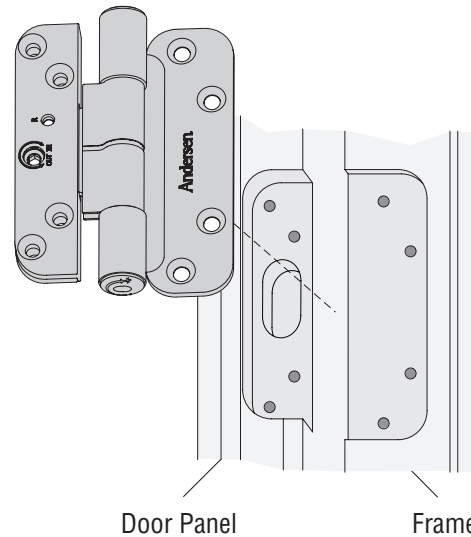
for Andersen® A-Series Hinged Inswing and 400 Series Frenchwood® Hinged Inswing Patio Doors

### 1. Remove Hinge

#### **! WARNING**

Remove and replace only one Hinge at a time. Removal of more than one Hinge may result in door panel falling and potentially causing personal injury, product, and/or property damage.

- Remove screws from *Hinge* being replaced on frame and door panel using a Phillips screwdriver.
- Remove *Hinge* and properly discard.



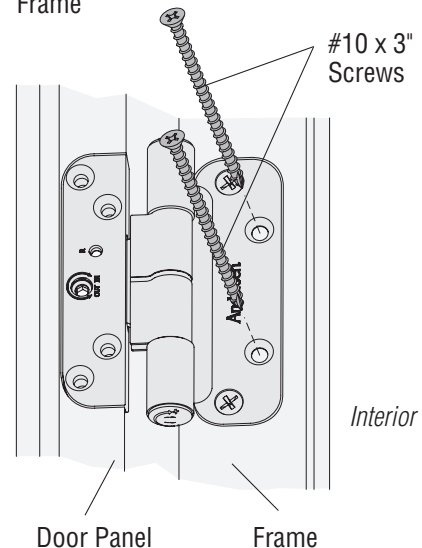
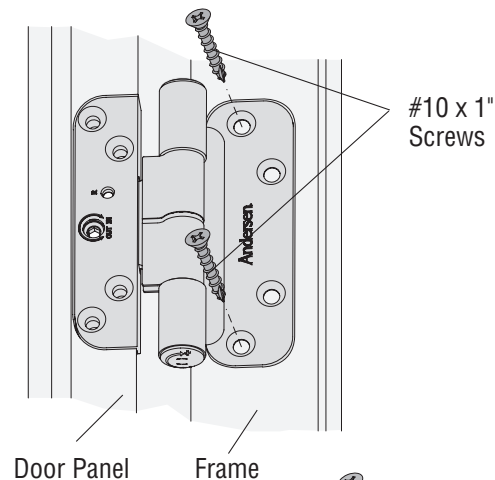
Interior View

### 2. Apply New Hinge To Frame

- Apply replacement *Hinge* to *Frame* and fasten using two #10 x 1" Screws through top and bottom holes and two #10 x 3" Screws through center holes.

#### **! WARNING**

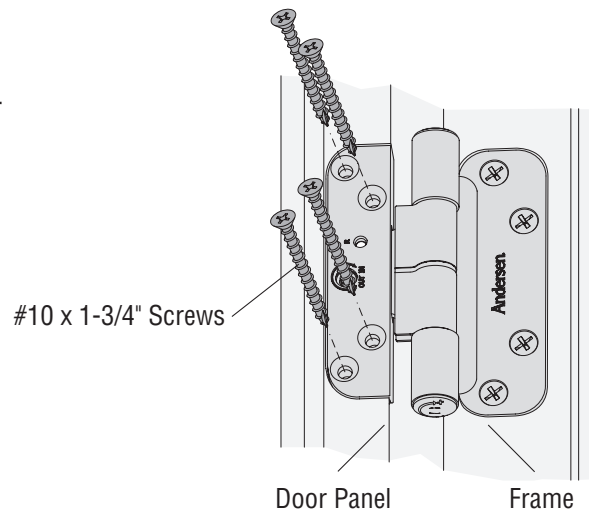
Metal fasteners and components may corrode when exposed to preservative-treated and/or fire-retardant treated lumber. Obtain and use the appropriate metal fasteners and hardware as called out by the installation guide to fasten unit to any rough opening made from preservative-treated and fire-retardant treated lumber. Failure to use the appropriate materials for the installation may cause a failure resulting in injury, property or product damage.



Interior View

### 3. Apply New Hinge To Door

- Apply replacement *Hinge* to *Door Panel* and fasten using four #10 x 1-3/4" Screws.
- Proceed to *Hinge and Hardware Adjustment*, below, for operation check and hinge adjustment instructions.
- Repeat **Steps 1-3** for all hinges being replaced.



*Interior View*

# Hinge and Hardware Adjustment

for Andersen® A-Series Hinged Inswing and 400 Series Frenchwood® Hinged Inswing Patio Doors

## 1. Horizontal Adjustment (Side to Side)

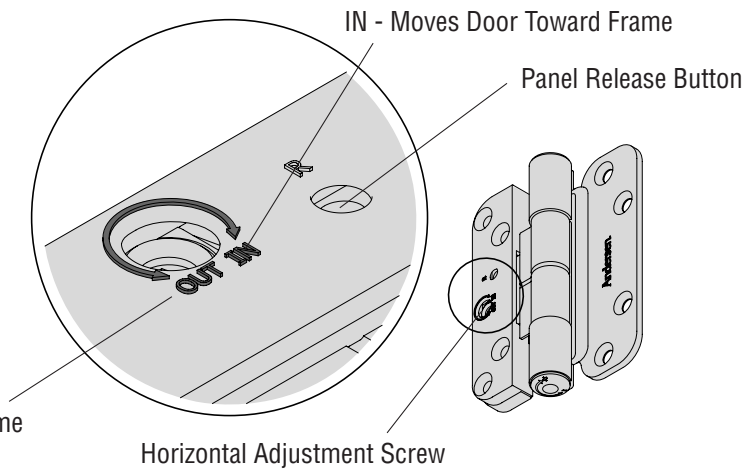
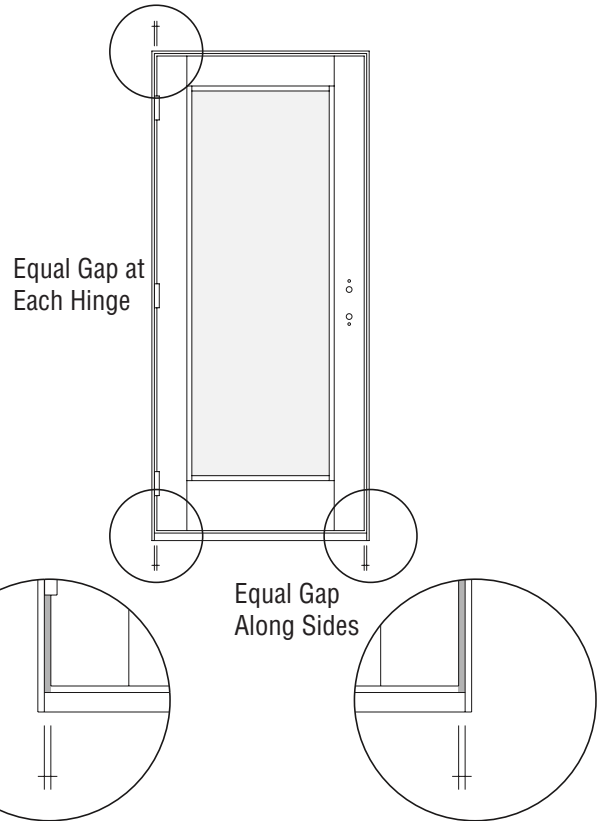
### NOTICE

Hinge replacement WILL NOT correct problems resulting from improper door installation. Examples of improper installation include units not being installed plumb, level, and square, excessively bowed jambs, and/or crowned sills.

### NOTICE

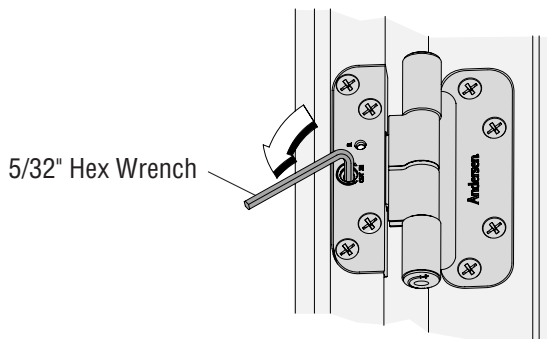
- Make all **horizontal adjustments** first. Horizontal adjustments correct most problems. Vertical adjustments are rarely needed.
- Horizontal adjustments move panel side to side to square and center panel in opening.
- Vertical adjustments move panel up and down to center panel in opening.

- Check that gap between panel and hinge side of frame is equal.
- Correct gap by turning *Horizontal Adjusting Screw* counterclockwise to move door away from hinge side or clockwise to move door closer to hinge side.
- Check that gap between panel and frame on latch side and hinge side is equal to the thickness of the 5/32" Hex Wrench.
- Move all hinges in or out to correct gap and center panel in frame.



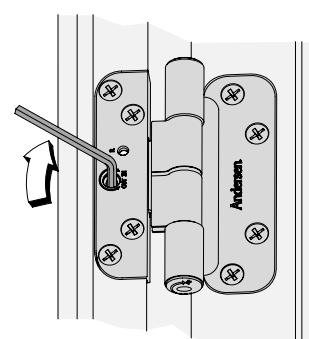
OUT - Moves Door Away From Frame

Horizontal Adjustment Screw



5/32" Hex Wrench

Increase Gap



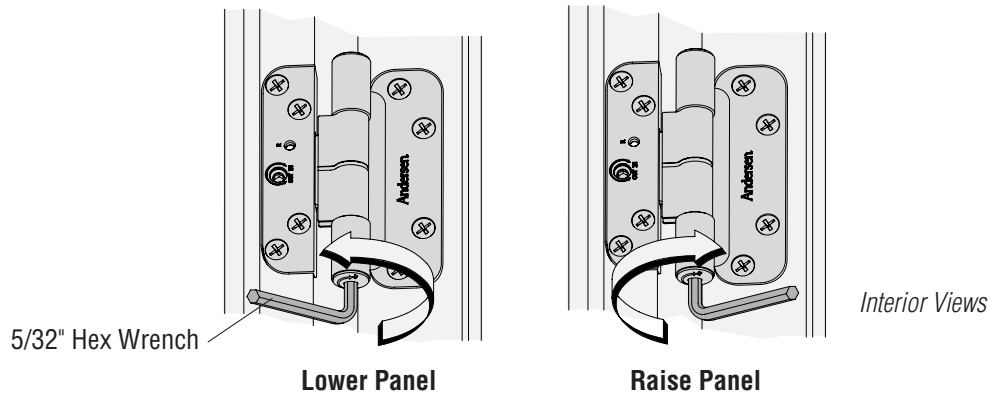
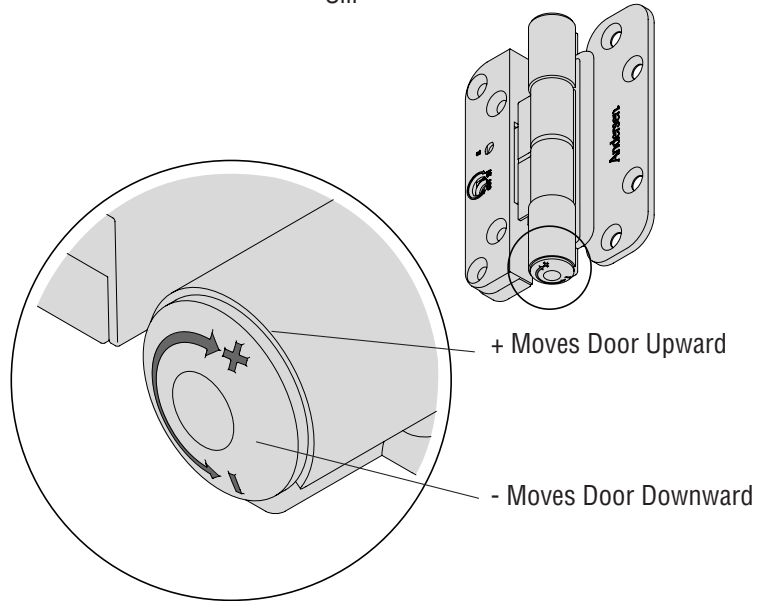
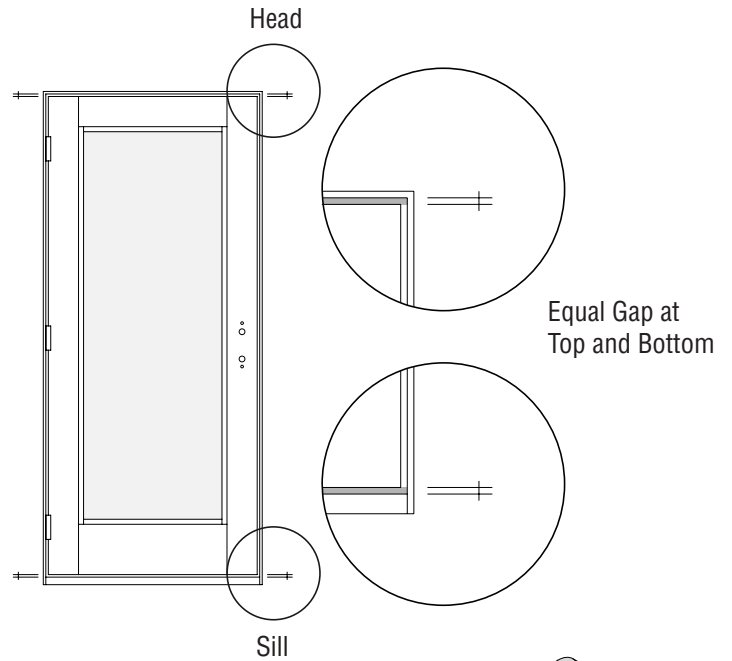
Decrease Gap

Interior Views

## 2. Vertical Adjustment (Up and Down)

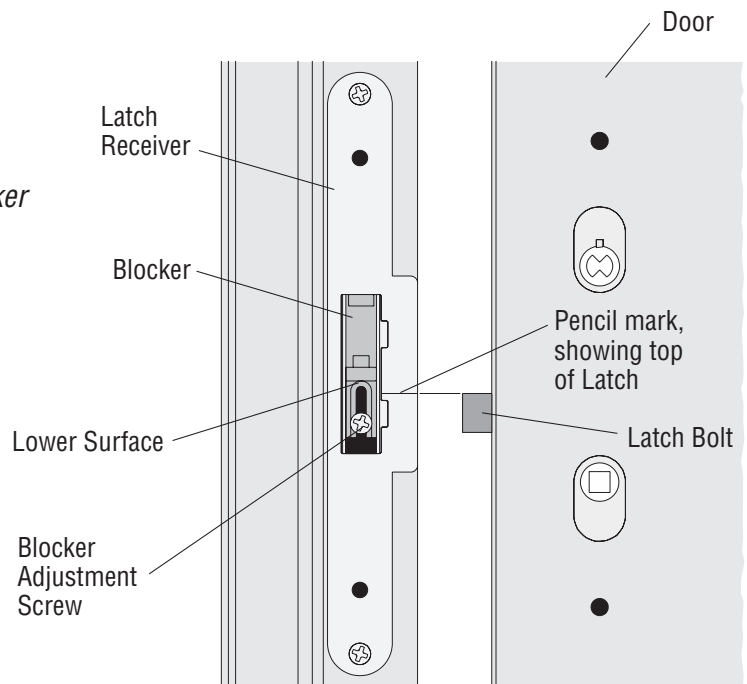
### NOTICE

- Adjust hinges with door slightly open. The door should be supported by all hinges to make sure of maximum hinge performance.
  - Start adjustments at bottom hinge and move upward.
- Determine if gap between panel and head and sill are equal.
  - Turn **bottom** hinge *Vertical Adjustment Screw* clockwise 1/2 turn and then continue turning until door is centered vertically in opening.
  - Turn next hinge *Vertical Adjustment Screw* clockwise until door moves slightly, then turn counterclockwise 1/4" turn. Repeat for remaining hinges working upward.



## 3. Blocker Adjustment

- Make a pencil mark where top of *Latch Bolt* strikes *Latch Receiver*.
- Loosen *Blocker Adjustment Screw*.
- Slide *Blocker* up or down so *Lower Surface* of *Blocker* lines up with pencil mark.
- Tighten *Blocker Adjustment Screw*.
- Close and lock both panels.



## 4. Tab Adjustments

- Adjust tab in *Latch Receiver*, *Hook Bolt Receivers*, and *Flush Bolt Receivers* to achieve adequate weatherstrip compression using a flat blade screwdriver.
- Adjust tab on *Hook Bolt Receivers* if *Hook Bolts* do not stay in engaged.

