

HINGED PATIO DOORS – INSWING

Table of Hinged Inswing Patio Door Sizes

Door Dimension	2'-0 1/2" (620)	4'-0" (1219)	4'-0" (1219)
Minimum Rough Opening	2'-1" (634)	4'-1" (1242)	4'-1" (1242)
Unobstructed Glass (single panel only)	13 1/4" (336)	13 1/4" (336)	13 1/4" (336)

Stationary (S) doors can be used as an individual unit or as a sidelight.

For more information on divided light visit andersenwindows.com/grilles.

4 heights

1	ISPD2168S	ISPD4168APLR	ISPD4168PALR
2	ISPD21611S	ISPD41611APLR	ISPD41611PALR
3	ISPD2176S	ISPD4176APLR	ISPD4176PALR
4	ISPD2180S	ISPD4180APLR	ISPD4180PALR

Door Dimension	2'-6 1/8" (765)	2'-6 1/8" (765)	2'-6 1/8" (765)	4'-11 1/4" (1504)	4'-11 1/4" (1504)	4'-11 1/4" (1504)	4'-11 1/4" (1504)
Minimum Rough Opening	2'-7" (787)	2'-7" (787)	2'-7" (787)	5'-0" (1524)	5'-0" (1524)	5'-0" (1524)	5'-0" (1524)
Unobstructed Glass (single panel only)	18 7/8" (479)	18 7/8" (479)	18 7/8" (479)	18 7/8" (479)	18 7/8" (479)	18 7/8" (479)	18 7/8" (479)

4 heights

1	ISPD2768S	ISPD2768AR	ISPD2768AL	ISPD5068ASR	ISPD5068SAL	ISPD5068APLR	ISPD5068PALR
2	ISPD27611S	ISPD27611AR	ISPD27611AL	ISPD50611ASR	ISPD50611SAL	ISPD50611APLR	ISPD50611PALR
3	ISPD2776S	ISPD2776AR	ISPD2776AL	ISPD5076ASR	ISPD5076SAL	ISPD5076APLR	ISPD5076PALR
4	ISPD2780S	ISPD2780AR	ISPD2780AL	ISPD5080ASR	ISPD5080SAL	ISPD5080APLR	ISPD5080PALR

Door Dimension	2'-8 1/8" (816)	2'-8 1/8" (816)	2'-8 1/8" (816)	5'-3 1/4" (1607)	5'-3 1/4" (1607)	5'-3 1/4" (1607)	5'-3 1/4" (1607)
Minimum Rough Opening	2'-9" (838)	2'-9" (838)	2'-9" (838)	5'-4" (1626)	5'-4" (1626)	5'-4" (1626)	5'-4" (1626)
Unobstructed Glass (single panel only)	20 7/8" (530)	20 7/8" (530)	20 7/8" (530)	20 7/8" (530)	20 7/8" (530)	20 7/8" (530)	20 7/8" (530)

4 heights

1	ISPD2968S	ISPD2968AR	ISPD2968AL	ISPD5468ASR	ISPD5468SAL	ISPD5468APLR	ISPD5468PALR
2	ISPD29611S	ISPD29611AR	ISPD29611AL	ISPD54611ASR	ISPD54611SAL	ISPD54611APLR	ISPD54611PALR
3	ISPD2976S	ISPD2976AR	ISPD2976AL	ISPD5476ASR	ISPD5476SAL	ISPD5476APLR	ISPD5476PALR
4	ISPD2980S	ISPD2980AR	ISPD2980AL	ISPD5480ASR	ISPD5480SAL	ISPD5480APLR	ISPD5480PALR

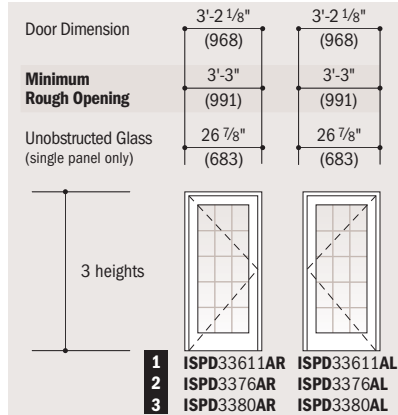
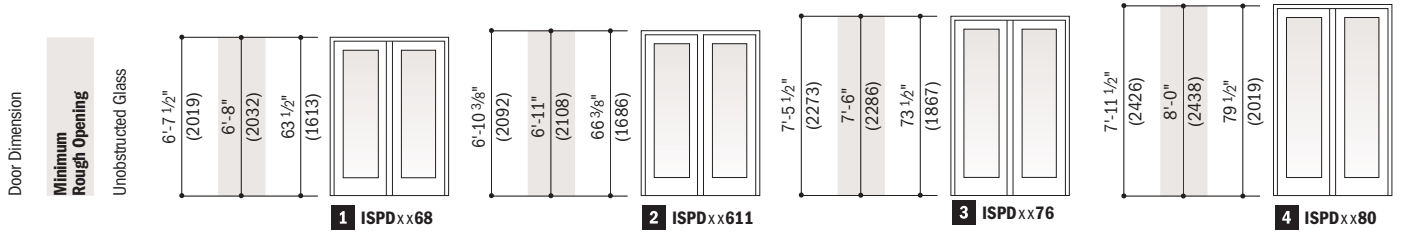
Door Dimension	3'-0 1/8" (918)	3'-0 1/8" (918)	3'-0 1/8" (918)	5'-11 1/4" (1810)	5'-11 1/4" (1810)	5'-11 1/4" (1810)	5'-11 1/4" (1810)
Minimum Rough Opening	3'-1" (940)	3'-1" (940)	3'-1" (940)	6'-0" (1829)	6'-0" (1829)	6'-0" (1829)	6'-0" (1829)
Unobstructed Glass (single panel only)	24 7/8" (632)	24 7/8" (632)	24 7/8" (632)	24 7/8" (632)	24 7/8" (632)	24 7/8" (632)	24 7/8" (632)

4 heights

1	ISPD3168S	ISPD3168AR	ISPD3168AL	ISPD6068ASR	ISPD6068SAL	ISPD6068APLR	ISPD6068PALR
2	ISPD31611S	ISPD31611AR	ISPD31611AL	ISPD60611ASR	ISPD60611SAL	ISPD60611APLR	ISPD60611PALR
3	ISPD3176S	ISPD3176AR	ISPD3176AL	ISPD6076ASR	ISPD6076SAL	ISPD6076APLR	ISPD6076PALR
4	ISPD3180S	ISPD3180AR	ISPD3180AL	ISPD6080ASR	ISPD6080SAL	ISPD6080APLR	ISPD6080PALR

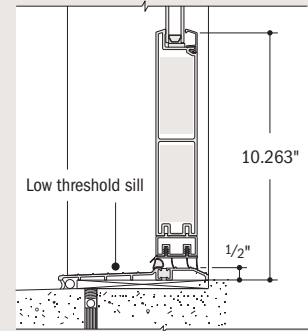
- "Door Dimension" always refers to outside frame to frame dimension.
- "Minimum Rough Opening" dimensions may need to be increased to allow for use of building wraps, flashing, sill panning, brackets, fasteners or other items.
- Dimensions in parentheses are in millimeters.
- Colonial divided light pattern shown for 6'-8" and 6'-11" doors. Visit andersenwindows.com/grilles for more information and available patterns.

Four Patio Door Heights

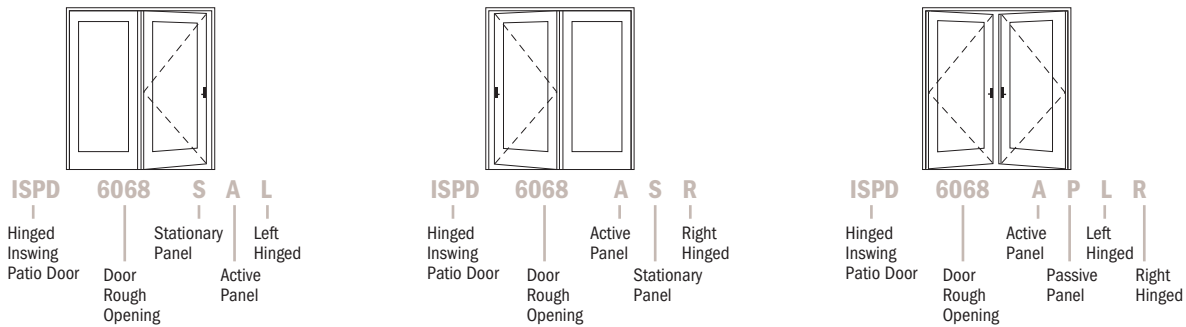


Accessibility Width Patio Door Also Available

For easier access, this single panel door offers a 32" clear opening when the panel is open 90°, a 1/2" threshold, and a bottom rail height of 10.263". This door meets the requirements of ICC/ANSI A-117.1-2003 and ADAAG guidelines. It also meets Federal Fair Housing Act guidelines. This door has a limited water rating (LW) due to the low threshold sill.



Order Designation Description



- "Door Dimension" always refers to outside frame to frame dimension.
- "Minimum Rough Opening" dimensions may need to be increased to allow for use of building wraps, flashing, sill panning, brackets, fasteners or other items.
- Dimensions in parentheses are in millimeters.